



DS-440/9VH-2 VIBRATION TEST SYSTEM

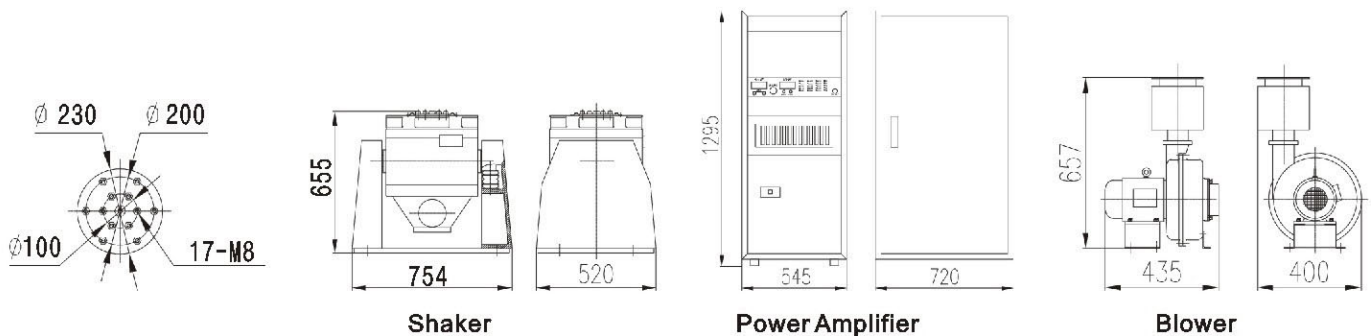
Shaker Specifications DS-440/9VH			
Sine (Pk)	200 kgf (440 lbf)	Body Suspension Natural Frequency (Thrust Axis)	3 Hz
Random (RMS)	200 kgf (440 lbf)		
Shock (Pk)	400 kgf (880 lbf)	Table Diameter	230 mm (9.1")
Usable Frequency	3 to 2,500 Hz	Armature Effective Nominal Weight	8 kg (17.6 lbs)
Maximum Displacement(p-p)	40mm (1.6")		
Maximum Velocity	150 cm/s (59.1 in/s)	Load Attachment Points (Standard)	17 stainless steel M8 Inserts (UNC option)
Maximum Acceleration	25g	Stray Flux Density @6 inch (152 mm) above table	< 3 mT (30 gauss),but 1 mT (10 gauss) by special design
Fundamental Resonance Frequency (Bare table)	2,700 Hz (nom.) ± 5%		
Vertical Load Support	140 kg (308 lbs)	Overall Dimensions	754mmL×520mmD×655mmH (29.7" L×20.5" D×25.8" H)
		Weight of Shaker(Uncrated)	430 kg(946 lbs)

Power Amplifier Specifications SA-2		Blower Specifications B-200	
Rated Output Capacity	2 Kva	Blower Power (Full Load)	0.75 kW (1 HP)(Based on 380VAC,50Hz)
Signal to Noise Ratio	Greater than 65 dB	Air Flow	0.1 m³/s (212 CFM)
Amplifier Efficiency	Greater than 90%	Air Pressure	1 kpa (0.15 PSI)
Interlock Protection(to prevent the output devices from working outside their specified limits)	<ul style="list-style-type: none"> • Logic Fault • Input Phase Loss • Over-Voltage • Control Power • External Fault • Input Under-Voltage • Over-Temp (Field Coil and Driving Coil) • Over-Current • Air Pressure • Over-Travel 	Air Duct length	4m

✳ **UPGRADE!** The DS440 (440lbf) when ordered with the SA3 amplifier becomes the DS660 (660 lbf)

System Environmental Requirement		SYSTEM OPTIONS	
Operating Room Temperature	0 to 40 degree C	• Slip Table Configuration	• Head Expander
Humidity	0 to 90%, non condensing	• V-Groove Caster and Rail System	• Thermal Barrier
Power Supply Requirement	380 VAC, 50 Hz, 3Ph, 5.5kVA Note: (All kinds of Power supply are optional)		• Remote Control
Compressed Air Requirement	0.6 Mpa (87 psi)		

✳ **The standard cable length between Shaker and Power Amplifier is 6m.**



NOTE: In keeping with our commitment to continuous product improvement, the information herein is subject to change.
 DYNAMIC SOLUTIONS, LLC P.O. BOX 7963, NORTHRIDGE, CA 91327 (PH) 818.831.0832, (F) 818.831.0842
 WWW.DYNSOLUSA.COM SALES@DYNSOLUSA.COM